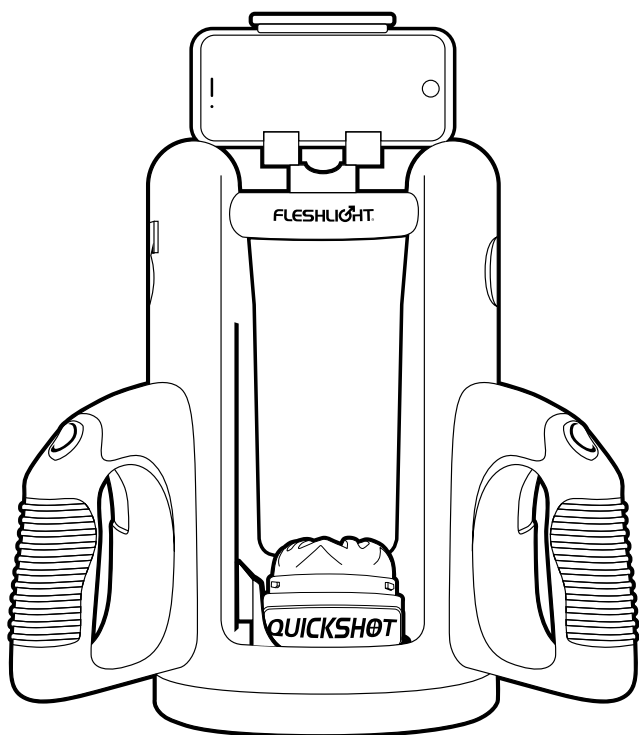


QUICKSHOT™ LAUNCH

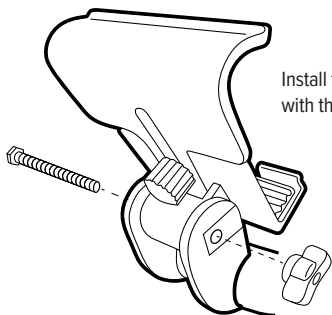


CARE AND USE GUIDE

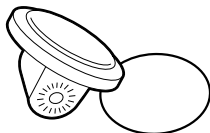
The Quickshot Launch is intended to be used with original Fleshlight® or Fleshjack® products only. The use of any third party hardware product in combination with the Quickshot Launch violates the terms of usage and warranty.

Table of Contents

I. CHARGING YOUR DEVICE	1
II. USING YOUR DEVICE	1
III. LUBE.....	3
IV. CLEANING	3
V. DISCLAIMER AND WARNINGS	4
VI. DISPOSAL SPECIFICATIONS	5
VII. SPECS AND CUSTOMER SERVICE	5



Install the top cell phone cradle with the supplied bolt and wingnut.



Optional magnetic mount
(Disc adheres to your device)

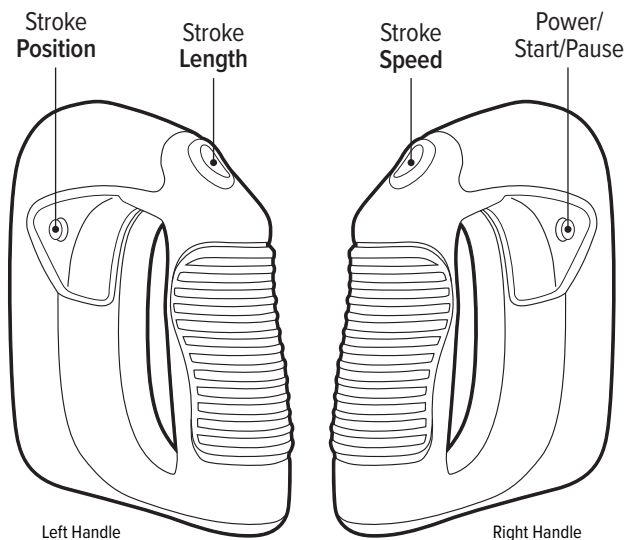
I. CHARGING YOUR DEVICE

1. Insert the power adapter into the base of the unit and plug the unit into a power source.
2. Allow the unit to fully charge prior to using it for the first time.
3. **Note:** You may use your Quickshot Launch while the device is plugged in or run the device off of the rechargeable battery.
4. **Warning:** It is important that you keep your battery charged and never allow it to fully discharge. If the battery discharges fully, it is possible that it will no longer be capable of accepting a charge. Failing to maintain a charge on your battery will void your 90-day warranty.

II. USING YOUR DEVICE

1. Before using your Quickshot Launch, remove both caps from your Quickshot toy, insert it into the cradle at the center of the Quickshot Launch, and turn the Quickshot® clockwise until it locks into position.
2. If desired, you may place your phone in the phone carriage at the top of the Quickshot Launch, locking it in place by tightening the back nozzle. Adjust its viewing angle by first loosening the wingnut on the left side, moving the carriage to an optimal position, and then tightening the wingnut.
3. Apply Fleshlube® water-based lubricant to yourself and the Quickshot sleeve.
4. To start the Quickshot Launch, press and hold the power button on the right side grip until the device becomes active (approximately three seconds).
5. Once activated, you can start the device by pressing the power button once.
6. **Note:** You can also press the power button once to pause the device while in use. When the device is paused, the lights on the rocker buttons on each grip will flash.

7. The Quickshot Launch features the following controls:



8. You may adjust any of the Speed, Length, or Position settings during use to create an optimal experience.

- **Stroke Speed:** Press the rocker button on the right grip up or down to increase or decrease the stroke speed.
- **Stroke Length:** Press the rocker button on the left grip up or down to increase or decrease the length of the stroke.
- **Stroke Position:** Press the button on the side of the left grip to adjust the position of the stroke. **Note:** *If you've set the stroke length to its maximum setting, the stroke position will not change when the button is pressed.*

9. Once finished, wipe down the Quickshot Launch, remove the Quickshot stroker and follow the cleaning instructions for all Fleshlight products, and press and hold the power button to turn off the Quickshot Launch.

III. LUBE

Fleshlight recommends you use FleshLube® or another water-based lubricant with your Quickshot toys both in and out of the Quickshot Launch.

Silicone- and oil-based lubricants can deteriorate the Quickshot sleeve material.

Other substances like massage oils or hand creams can damage the Quickshot Launch.



IV. CLEANING

1. Remove the Quickshot stroker from the Quickshot Launch.
2. Remove the sleeve from the outer casing.
3. Rinse the sleeve with warm water, coat with an anti-bacterial spray like FleshWash®, and allow to completely dry.
4. Rinse the outer casing or wipe down with antibacterial wipes.
5. Once the sleeve is dry, place the sleeve back in the casing.
6. After the sleeve is dry, you may coat it with Fleshlight Renewing Powder to help retain its smooth and soft texture.



V. DISCLAIMER AND WARNINGS

- Fleshlight® makes no medical claims with our devices.
- This device is not for use by persons under the age of 18.
- This device is not intended for use by anyone who is unable or unwilling to consent.
- This device is not intended for persons with reduced physical, sensory or mental capabilities, or a lack of experience and knowledge, unless they have supervision or instruction concerning use of the device by a person responsible for their safety,
- Fleshlight will not be held responsible for any undesirable results of misuse.
- Follow all directions as set forth by the manual and do not attempt to make any technical adjustments to your Quickshot Launch at home.
- Do not use the Quickshot Launch if there are exposed electronic elements.
- Do not use the Quickshot Launch if you are in a shower, bathtub, swimming pool, sauna steam room etc.
***The Quickshot Launch is **NOT** waterproof, avoid any exposure to water.*
- Do not use the Quickshot Launch if it is excessively hot to touch.
- Do not use the Quickshot Launch and Fleshlight device on inflamed or irritated areas.
- Avoid leaving your Quickshot Launch in direct sunlight and **NEVER** expose it to extreme heat.
- Never use cleansers containing alcohol, petrol or acetone.
- Do not use heating appliances to dry the sleeve or device.
- Avoid using harsh soaps as they can damage the sleeve material.
- Always store the device out of reach of children.

VI. DISPOSAL SPECIFICATIONS

You should not dispose of the Launch in your trash. Like any other electronic device with a rechargeable battery, there are disposal regulations. These regulations vary by local municipality, city and by country. Be aware of how electronics are disposed of where you live. Fleshlight suggests you ask your local council center.

VII. SPECS AND CUSTOMER SERVICE

Specifications:

Materials: PC, ABS and Silicone

Finish: Gloss finish, Light Bead Blast finish

Size: 355.6 x 292.1 x 190.5 mm

Weight: ± 3.2 lb (1451.5 g) without Quickshot
± 3.7 lb (1678.29 g) with Quickshot

Charging time: about 1.5h

User time: 60 minutes

Assistance:

If you have any problems with setup or using your device, please visit our FAQ page or contact our Customer Service team.

For frequently asked questions, visit:

www.fleshlight.com/pages/faq

Contact Fleshlight Customer Service:

Monday - Friday 7am - 8pm CST

International orders: +1-512-865-5266

CustomerService@fleshlight.com

FLESHLIGHT[®]
THE #1 SELLING MALE SEX TOY IN THE WORLD!

QUICKSHOT LAUNCH™

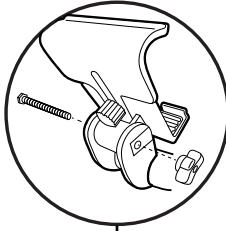
QUICK START GUIDE

Mount cell phone in top cradle by tightening the back knob.

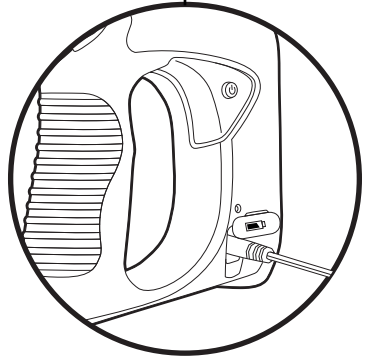
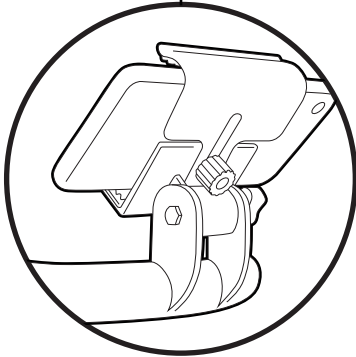
Use side wingnut to adjust viewing angle.

Insert power adapter into base and plug into a power source to charge

Note: You may also use your Quickshot Launch while it is plugged in for charging



Install top cell phone cradle with supplied bolt and wingnut

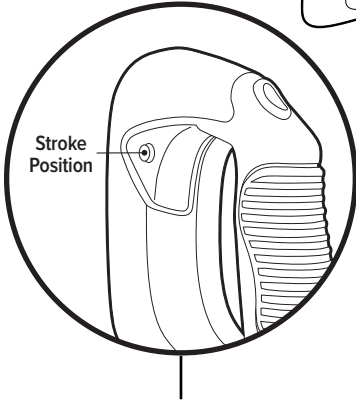
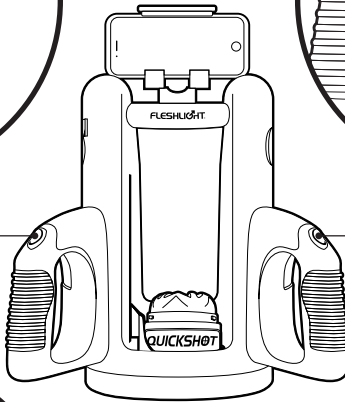


Stroke Length button

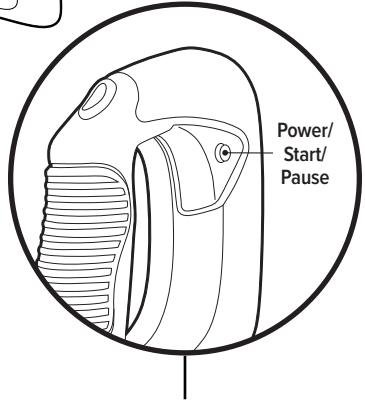
Press rocker button to increase or decrease stroke length

Stroke Speed button

Press rocker button to increase or decrease stroke speed



Stroke Position



Power/
Start/
Pause

Stroke Position button

Press button on side of left grip to adjust position of stroke - base, shaft, or tip

Note: If you've set stroke length to the max setting, the stroke position will not change

Power/Start/Pause button

Power ON - Press and hold until device becomes active (about 3 sec.)

Start/Pause - Once device is active (lights begin flashing), press once to start. Press again at any time during use to pause movement.

Power OFF - Press and hold button to turn off Quickshot Launch (about 4 sec.)